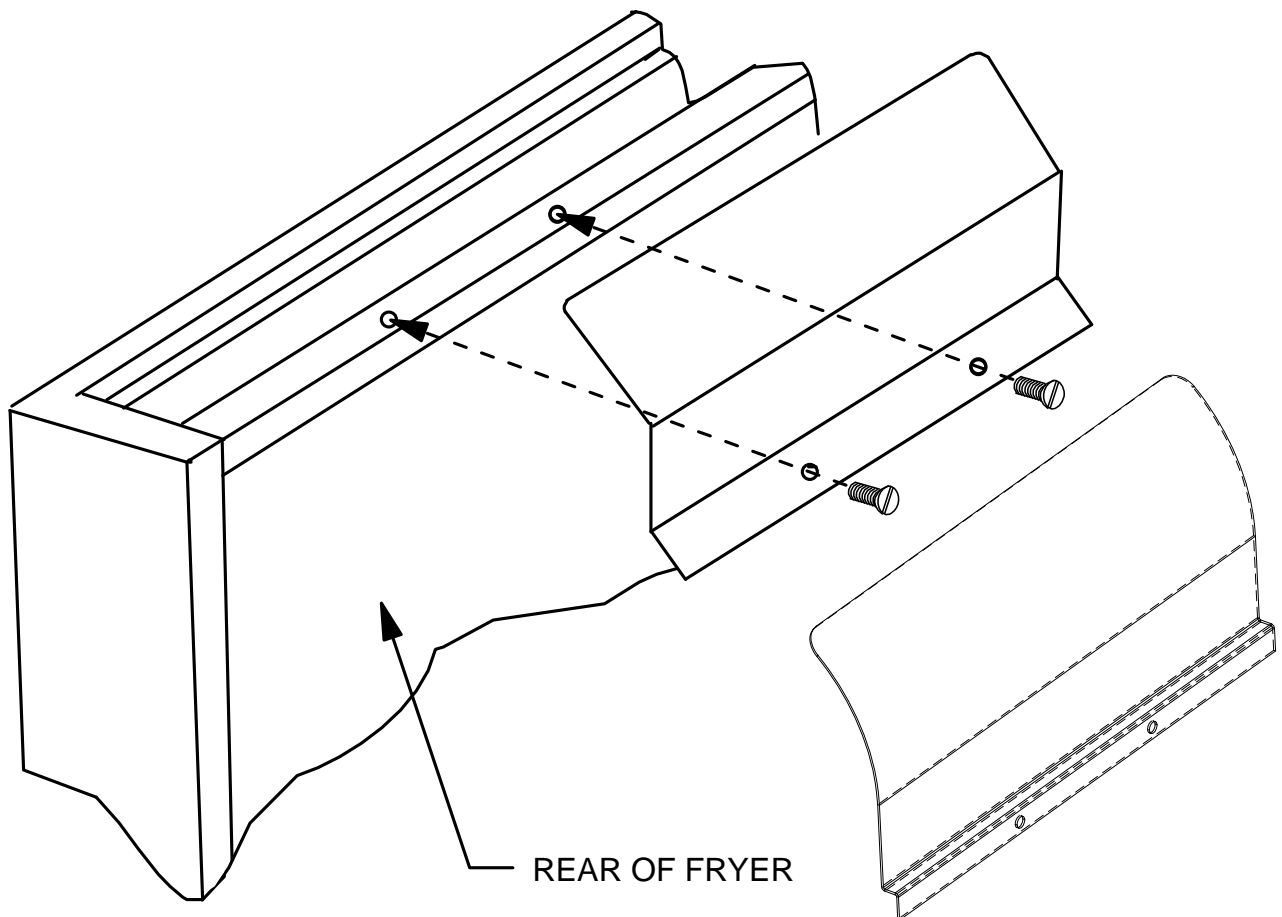




# FLUE DEFLECTOR INSTALLATION SHEET

## “IMPORTANT NOTICE”

To comply with approval requirement, the Flue Deflector supplied with the unit must be attached prior to operating this equipment.



The flue shield(s) supplied with the unit(s) must be installed on the unit(s) prior to final installation. They may differ from illustrations shown depending on date of manufacture, however installation is the same. Remove the two ¼" hex head metal screws at the rear of the flue outlet and align the flue shield mounting holes with the existing holes in the rear of the fryer as shown above. Ensure the deflector is deflecting towards the front of the fryer. Replace the two screws and ensure that the screws are fully tightened prior to placing the fryer(s) in their final location.



8 1 9 5 1 2 0

8195120 03/2016